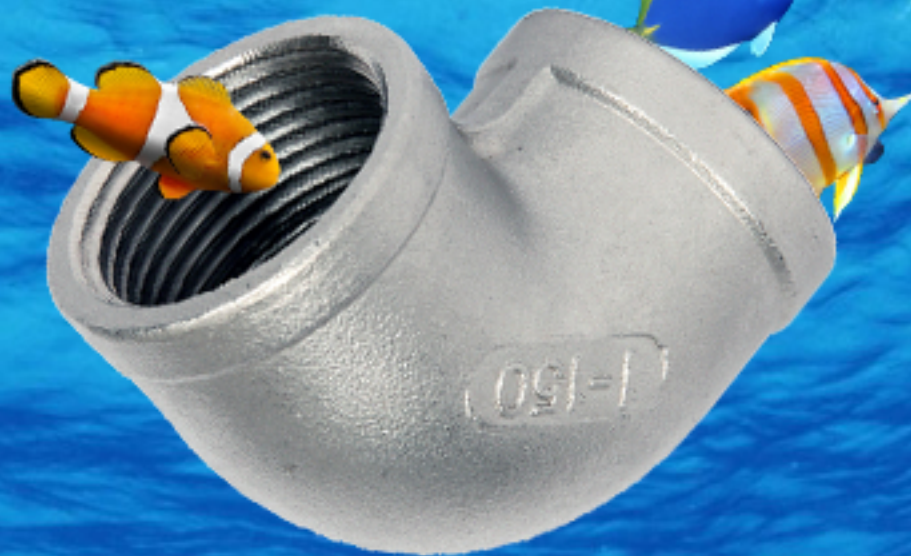


STAINLESS STEEL PIPE FITTINGS



BARREL NIPPLE (BN)

FEATURES

- ◆ The thread ends conform to
 - ASME B1.20.1(NPT)
 - DIN 2999&BS21
 - ISO 228/1 & ISO7/1
- ◆ Dimension conform to
 - ISO 4144,SP114
 - EN-10241,JIS
- ◆ 150LBS
- ◆ Material conform to
 - ASTM A351-CF8M/1.4408
 - ASTM A351-CF8/1.4401
 - ASTM A216-WCB
 - AISI 304,304L,316,316L,301,430ETC
- ◆ MADE FROM CASTING,WELD PIPE OR SEAMLESS PIPE

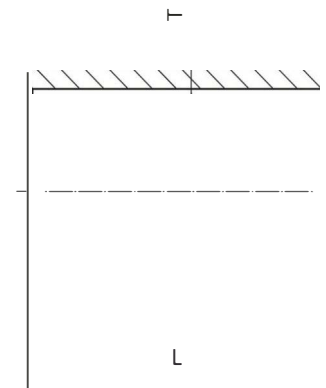


Standard	SIZE	1/8	1/4	3/8	1/2	3/4	1	1 1/4	1 1/2	2	2 1/2	3	4	
SCH-40	T	2	2.5	2.31	2.77	2.87	3.38	3.56	3.68	3.91	5.16	5.49	6.02	
	L(mm)	40	40	40	60	60	60	80	80	100	100	120	150	
	L(in)	1"	1"	1"	1"	1"	1"	1"	1"	1"	1"	1"	1"	1"
		1 1/4"	1 1/4"	1 1/4"	1 1/4"	1 1/4"	1 1/4"	1 1/4"	1 1/4"	1 1/4"	1 1/4"	1 1/4"	1 1/4"	1 1/4"
		1 1/2"	1 1/2"	1 1/2"	1 1/2"	1 1/2"	1 1/2"	1 1/2"	1 1/2"	1 1/2"	1 1/2"	1 1/2"	1 1/2"	1 1/2"
		2"	2"	2"	2"	2"	2"	2"	2"	2"	2"	2"	2"	2"
		2 1/2"	2 1/2"	2 1/2"	2 1/2"	2 1/2"	2 1/2"	2 1/2"	2 1/2"	2 1/2"	2 1/2"	2 1/2"	2 1/2"	2 1/2"
		3"	3"	3"	3"	3"	3"	3"	3"	3"	3"	3"	3"	3"
		4"	4"	4"	4"	4"	4"	4"	4"	4"	4"	4"	4"	4"
		5"	5"	5"	5"	5"	5"	5"	5"	5"	5"	5"	5"	5"
6"		6"	6"	6"	6"	6"	6"	6"	6"	6"	6"	6"	6"	
8"	8"	8"	8"	8"	8"	8"	8"	8"	8"	8"	8"	8"		
SCH-80	L(mm)	40	40	40	60	60	60	80	80	100	100	120	150	
	T	2.41	3.02	3.2	3.73	3.91	4.55	4.85	5.08	5.54	7.01	7.62	8.56	
	L(in)	1"	1"	1"	1"	1"	1"	1"	1"	1"	1"	1"	1"	1"
		1 1/4"	1 1/4"	1 1/4"	1 1/4"	1 1/4"	1 1/4"	1 1/4"	1 1/4"	1 1/4"	1 1/4"	1 1/4"	1 1/4"	1 1/4"
		1 1/2"	1 1/2"	1 1/2"	1 1/2"	1 1/2"	1 1/2"	1 1/2"	1 1/2"	1 1/2"	1 1/2"	1 1/2"	1 1/2"	1 1/2"
		2"	2"	2"	2"	2"	2"	2"	2"	2"	2"	2"	2"	2"
		2 1/2"	2 1/2"	2 1/2"	2 1/2"	2 1/2"	2 1/2"	2 1/2"	2 1/2"	2 1/2"	2 1/2"	2 1/2"	2 1/2"	2 1/2"
		3"	3"	3"	3"	3"	3"	3"	3"	3"	3"	3"	3"	3"
		4"	4"	4"	4"	4"	4"	4"	4"	4"	4"	4"	4"	4"
		5"	5"	5"	5"	5"	5"	5"	5"	5"	5"	5"	5"	5"
6"		6"	6"	6"	6"	6"	6"	6"	6"	6"	6"	6"	6"	
8"	8"	8"	8"	8"	8"	8"	8"	8"	8"	8"	8"	8"		

PARREL NIPPLE (PN)

FEATURES

- ◆ The thread ends conform to
 - ASME B1.20.1(NPT)
 - DIN 2999&BS21
 - ISO 228/1 & ISO7/1
- ◆ Dimension conform to
 - ISO 4144,SP114
 - EN-10241,JIS
- ◆ 150LBS
- ◆ Material conform to
 - ASTM A351-CF8M/1.4408
 - ASTM A351-CF8/1.4401
 - ASTM A216-WCB
 - AISI 304,304L,316,316L,301,430ETC



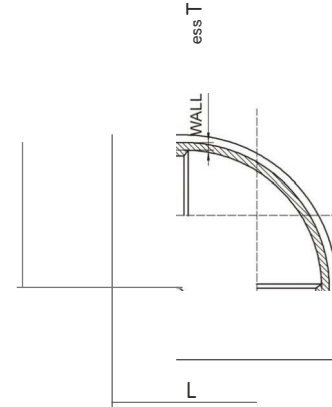
◆ MADE FROM CASTING,WELD PIPE OR SEAMLESS PIPE

Standard	SIZE	1/8	1/4	3/8	1/2	3/4	1	1 1/4	1 1/2	2	2 1/2	3	4	
SCH-40	T	2	2.5	2.31	2.77	2.87	3.38	3.56	3.68	3.91	5.16	5.49	6.02	
	L(mm)	22	22	24	30	34	40	42	42	52	56	62	80	
	L(in)	1"	1"	1"	1"	1"	1"	1"	1"	1"	1"	1"	1"	1"
		1 1/4"	1 1/4"	1 1/4"	1 1/4"	1 1/4"	1 1/4"	1 1/4"	1 1/4"	1 1/4"	1 1/4"	1 1/4"	1 1/4"	1 1/4"
		1 1/2"	1 1/2"	1 1/2"	1 1/2"	1 1/2"	1 1/2"	1 1/2"	1 1/2"	1 1/2"	1 1/2"	1 1/2"	1 1/2"	1 1/2"
		2"	2"	2"	2"	2"	2"	2"	2"	2"	2"	2"	2"	2"
		2 1/2"	2 1/2"	2 1/2"	2 1/2"	2 1/2"	2 1/2"	2 1/2"	2 1/2"	2 1/2"	2 1/2"	2 1/2"	2 1/2"	2 1/2"
		3"	3"	3"	3"	3"	3"	3"	3"	3"	3"	3"	3"	3"
		4"	4"	4"	4"	4"	4"	4"	4"	4"	4"	4"	4"	4"
		5"	5"	5"	5"	5"	5"	5"	5"	5"	5"	5"	5"	5"
6"		6"	6"	6"	6"	6"	6"	6"	6"	6"	6"	6"	6"	
8"	8"	8"	8"	8"	8"	8"	8"	8"	8"	8"	8"	8"		
SCH-80	L(mm)	22	22	24	30	34	40	42	42	52	56	62	80	
	T	2.41	3.02	3.2	3.73	3.91	4.55	4.85	5.08	5.54	7.01	7.62	8.56	
	L(in)	1"	1"	1"	1"	1"	1"	1"	1"	1"	1"	1"	1"	1"
		1 1/4"	1 1/4"	1 1/4"	1 1/4"	1 1/4"	1 1/4"	1 1/4"	1 1/4"	1 1/4"	1 1/4"	1 1/4"	1 1/4"	1 1/4"
		1 1/2"	1 1/2"	1 1/2"	1 1/2"	1 1/2"	1 1/2"	1 1/2"	1 1/2"	1 1/2"	1 1/2"	1 1/2"	1 1/2"	1 1/2"
		2"	2"	2"	2"	2"	2"	2"	2"	2"	2"	2"	2"	2"
		2 1/2"	2 1/2"	2 1/2"	2 1/2"	2 1/2"	2 1/2"	2 1/2"	2 1/2"	2 1/2"	2 1/2"	2 1/2"	2 1/2"	2 1/2"
		3"	3"	3"	3"	3"	3"	3"	3"	3"	3"	3"	3"	3"
		4"	4"	4"	4"	4"	4"	4"	4"	4"	4"	4"	4"	4"
		5"	5"	5"	5"	5"	5"	5"	5"	5"	5"	5"	5"	5"
6"		6"	6"	6"	6"	6"	6"	6"	6"	6"	6"	6"	6"	
8"	8"	8"	8"	8"	8"	8"	8"	8"	8"	8"	8"	8"		

ELBOW 90° (LB 90°)

FEATURES

- ◆ The thread ends conform to
ASME B1.20.1(NPT)
DIN 2999&BS21
ISO 228/1 & ISO7/1
- ◆ Dimension conform to
ISO 4144,SP114
EN-10241,JIS
- ◆ 150LBS
- ◆ Material conform to
ASTM A351-CF8M/1.4408
ASTM A351-CF8/1.4401
ASTM A216-WCB
AISI 304,304L,316,316L,301,430ETC

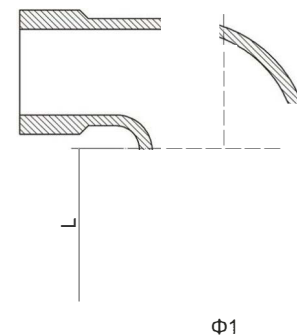


Standard	SIZE	1/8	1/4	3/8	1/2	3/4	1	1 1/4	1 1/2	2	2 1/2	3	4
ISO4144	Φ1	13	16	20	24.5	30	37.5	46.5	53	65.5	82	95.5	121.5
	L	17	19	23	27	32	38	45	48	57	69	78	96
	T	2.5	2.5	2.8	1.65	1.75	2	2.25	2.5	2.85	3.25	3.75	4.25
JIS	Φ1	16	19	22	26	32	39	48	55	67	83.5	97	123
	L	17	19	23	27	32	38	46	48	57	69	78	96
	T	2.5	2.5	2.5	2.5	3	3	3.5	3.5	4	4.5	5	5.5
SP-114	Φ1	13.5	15.4	19.7	26.2	31.9	39.8	47.8	55.9	66.5	83.3	98.2	123
	L	20.6	20.6	23.6	28.5	33.3	38.1	44.5	49	57.1	68	77.6	96.8
	T	2.7	2.7	2.7	2.7	3.2	3.2	3.8	3.8	4	4.7	5.2	6
EN-10241	Φ1	15.2	19.7	23.3	28	34.8	43.6	53	58	71	87	100	126
	L	17	18.5	22.9	26.8	32	37.5	45.9	47.6	58	70	77	97
	T	3.6	4.35	4.85	3.4	4.15	5.05	5.5	5	5.6	5.75	6	6.5

STREET ELBOW 90° (SLB 90°)

FEATURES

- ◆ The thread ends conform to
ASME B1.20.1(NPT)
DIN 2999&BS21
ISO 228/1 & ISO7/1
- ◆ Dimension conform to
ISO 4144,SP114
EN-10241,JIS
- ◆ 150LBS
- ◆ Material conform to
ASTM A351-CF8M/1.4408
ASTM A351-CF8/1.4401
ASTM A216-WCB
AISI 304,304L,316,316L,301,430ETC

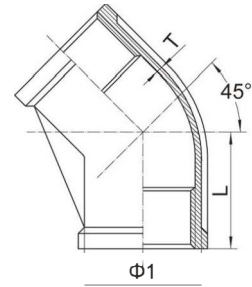


Standard	SIZE	1/8	1/4	3/8	1/2	3/4	1	1 1/4	1 1/2	2	2 1/2	3	4
ISO4144	Φ1	13	16	20	24.5	30	37.5	46.5	53	65.5	82	95.5	121.5
	L	17	19	23	27	32	38	45	48	57	69	78	97
JIS	Φ1	16	19	22	26	32	39	48	55	67	83.5	97	123
	L	17	19	23	27	32	38	46	48	57	69	78	96
SP-114	Φ1	13.5	15.4	19.7	26.2	31.9	39.8	47.8	55.9	66.5	83.3	98.2	123
	L	20.6	20.6	23.6	28.5	33.3	38.1	44.5	49	57.1	68	77.6	96.8
EN-10241	Φ1	17	21	25	29	35	43	52	58.8	71.7	86.2	98.6	121
	L	19	21	25	28	33	38	45	50	58	69	78	97

ELBOW 45° (LB 45°)

FEATURES

- ◆ The thread ends conform to
ASME B1.20.1(NPT)
DIN 2999&BS21
ISO 228/1 & ISO7/1
- ◆ Dimension conform to
ISO 4144,SP114
EN-10241,JIS
- ◆ 150LBS
- ◆ Material conform to
ASTM A351-CF8M/1.4408
ASTM A351-CF8/1.4401
ASTM A216-WCB
AISI 304,304L,316,316L,301,430ETC

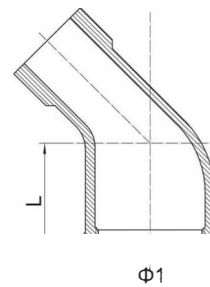


Standard	SIZE	1/8	1/4	3/8	1/2	3/4	1	1 1/4	1 1/2	2	2 1/2	3	4
ISO4144	Φ1	13	16	20	24.5	30	37.5	46.5	53	65.5	82	95.5	121.5
	L	16	17	19	21	25	29	33	37	42	49	54	64
	T	2.5	2.5	2.8	1.65	1.75	2.0	2.25	2.5	2.85	3.25	3.75	4.25
JIS	Φ1	16	19	22	26	32	39	48	55	67	83.5	97	123
	L	17	19	23	27	32	38	46	48	57	69	78	96
	T	2.5	2.5	2.5	2.5	3.0	3.0	3.5	3.5	4.0	4.5	5.0	5.5
SP-114	Φ1	13.5	15.4	19.7	26.2	31.9	39.8	47.8	55.9	66.5	83.3	98.2	123
	L	19	21	23	25	30	32	33	36	44	50	54	58.5
	T	2.7	2.7	2.7	2.7	3.2	3.2	3.8	3.8	4.0	4.7	5.2	6.0
EN-10241	Φ1	18	21	25	29.5	35.6	43	52.4	58	72	87	100.3	125.5
	L	18	18	20	22	25	28	33	36	43	50	55	64
	T	5.0	5.0	5.3	4.15	4.55	4.75	5.2	5.0	6.1	5.75	6.15	6.25

STREET ELBOW 45° (SLB 45°)

FEATURES

- ◆ The thread ends conform to
ASME B1.20.1(NPT)
DIN 2999&BS21
ISO 228/1 & ISO7/1
- ◆ Dimension conform to
ISO 4144,SP114
EN-10241,JIS
- ◆ 150LBS
- ◆ Material conform to
ASTM A351-CF8M/1.4408
ASTM A351-CF8/1.4401
ASTM A216-WCB
AISI 304,304L,316,316L,301,430ETC

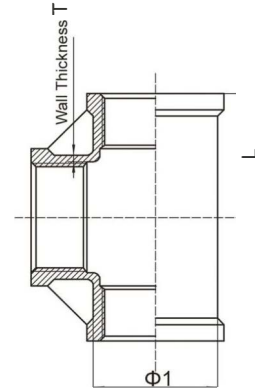


Standard	SIZE	1/8	1/4	3/8	1/2	3/4	1	1 1/4	1 1/2	2	2 1/2	3	4
ISO4144	Φ1	13	16	20	24.5	30	37.5	46.5	53	65.5	82	95.5	121.5
	L	17	19	23	27	32	38	45	48	57	69	78	97
JIS	Φ1	16	19	22	26	32	39	48	55	67	83.5	97	123
	L	17	19	23	27	32	38	46	48	57	69	78	96
SP-114	Φ1	13.5	15.4	19.7	26.2	31.9	39.8	47.8	55.9	66.5	83.3	98.2	123
	L	20.6	20.6	23.6	28.5	33.3	38.1	44.5	49	57.1	68	77.6	96.8
EN-10241	Φ1	17	21	25	29	35	43	52	58.8	71.7	86.2	98.6	121
	L	19	21	25	28	33	38	45	50	58	69	78	97

TEE (TB)

FEATURES

- ◆ The thread ends conform to
ASME B1.20.1(NPT)
DIN 2999&BS21
ISO 228/1 & ISO7/1
- ◆ Dimension conform to
ISO 4144,SP114
EN-10241,JIS
- ◆ 150LBS
- ◆ Material conform to
ASTM A351-CF8M/1.4408
ASTM A351-CF8/1.4401
ASTM A216-WCB
AISI 304,304L,316,316L,301,430ETC

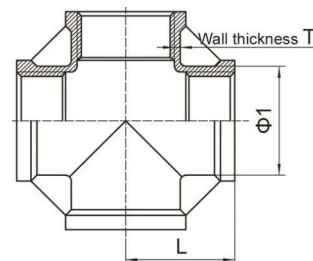


Standard	SIZE	1/8	1/4	3/8	1/2	3/4	1	1 1/4	1 1/2	2	2 1/2	3	4
ISO4144	Φ1	13	16.5	20	24.5	30	37.5	46.5	53	65.5	82	95.5	121.5
	L	17	19	23	27	32	38	45	48	57	69	78	96
	T	2.5	2.5	2.8	1.65	1.75	2	2.25	2.5	2.85	3.25	3.75	4.25
JIS	Φ1	16	19	22	26	32	39	48	55	67	83.5	97	123
	L	17	19	23	27	32	38	46	48	57	69	78	96
	T	2.5	2.5	2.5	2.5	3	3	3.5	3.5	4	4.5	5	5.5
SP-114	Φ1	13.5	15.4	19.7	26.2	31.9	39.8	47.8	55.9	66.5	83.3	98.2	123
	L	20.6	20.6	23.6	28.5	33.3	38.1	44.5	49	57.1	68	77.6	96.8
	T	2.7	2.7	2.7	2.7	3.2	3.2	3.8	3.8	4	4.7	5.2	6
EN-10241	Φ1	17	21.3	23.5	30	35	43	52	58	71	86.6	100.2	125
	L	19	21	23.6	28	33	38	45	50	58	70	78.5	97
	T	3.6	4.35	4.85	3.4	4.15	5.05	5.5	5	5.6	5.75	6	6.5

CROSS (+B)

FEATURES

- ◆ The thread ends conform to
ASME B1.20.1(NPT)
DIN 2999&BS21
ISO 228/1 & ISO7/1
- ◆ Dimension conform to
ISO 4144,SP114
EN-10241,JIS
- ◆ 150LBS
- ◆ Material conform to
ASTM A351-CF8M/1.4408
ASTM A351-CF8/1.4401
ASTM A216-WCB
AISI 304,304L,316,316L,301,430ETC

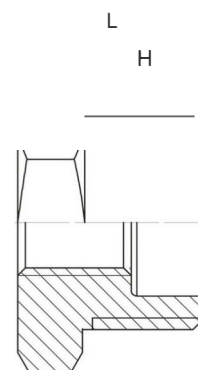


Standard	SIZE	1/8	1/4	3/8	1/2	3/4	1	1 1/4	1 1/2	2	2 1/2	3	4
ISO4144	Φ1	13	16	20	24.5	30	37.5	46.5	53	65.5	82	95.5	121.5
	L	17	19	23	27	32	38	45	48	57	69	78	96
	T	2.5	2.5	2.8	1.65	1.75	2	2.25	2.5	2.85	3.25	3.75	4.25
JIS	Φ1	16	19	22	26	32	39	48	55	67	83.5	97	123
	L	17	19	23	27	32	38	46	48	57	69	78	96
	T	2.5	2.5	2.5	2.5	3	3	3.5	3.5	4	4.5	5	5.5
SP-114	Φ1	13.5	15.4	19.7	26.2	31.9	39.8	47.8	55.9	66.5	83.3	98.2	123
	L	20.6	20.6	23.6	28.5	33.3	38.1	44.5	49	57.1	68	77.6	96.8
	T	2.7	2.7	2.7	2.7	3.2	3.2	3.8	3.8	4	4.7	5.2	6
EN-10241	Φ1	15.2	19.7	23.3	28	34.8	43.6	53	58	71	86.6	100	126
	L	17	18.5	22.9	26.8	32	37.5	45.9	47.6	58	70	77	97
	T	3.6	4.35	4.85	3.4	4.15	5.05	5.5	5	5.6	5.75	6	6.5

HEX.BUSHING (HB)

FEATURES

- ◆The thread ends conform to
ASME B1.20.1(NPT)
DIN 2999&BS21
ISO 228/1 & ISO7/1
- ◆Dimension conform to
ISO 4144,SP114
EN-10241,JIS
- ◆150LBS
- ◆Material conform to
ASTM A351-CF8M/1.4408
ASTM A351-CF8/1.4401
ASTM A216-WCB
AISI 304,304L,316,316L,301,430ETC



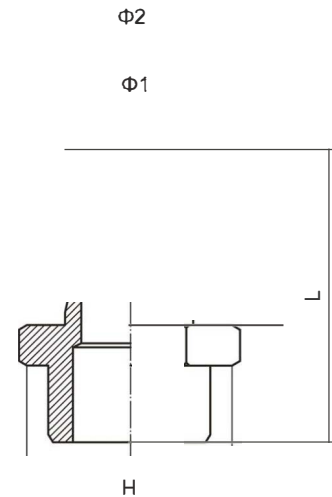
Standard	SIZE	1/4		3/8		1/2		3/4		1		1 1/4	
		1/8	1/4	1/4	3/8	3/8	1/2	1/2	3/4	3/4	1	3/4	1
ISO4144	H	11.5	12	14.5	14.5	15.5	15.5	17.5	17.5	20	20	27	27
	L	16	16.5	20	20	21	21	24	24	27	27	43	43
	W	14	18	22	22	27.5	27.5	34.5	34.5	43	43	46	46
JIS	H	12	13	16	16	18	18	20	20	22	22	30	30
	L	17	18	21	21	24	24	27	27	30	30	46	46
	W	17	21	26	26	31	31	38	38	46	46	52	52
SP-114	H	11.7	13	15	15	18	18	19.6	19.6	22.5	22.5	32	32
	L	18	19	21	21	26	26	27.6	27.6	32	32	48	48
	W	16.7	21	25	25	29	29	37	37	48	48	54	54
EN-10241	H	10.8	11.9	15.6	15.4	17.4	17.5	19.7	19.7	21.9	21.9	30	30
	L	15.2	16.5	21	21	24	24	27	27	30	30	45	45
	W	16	18	26	26	30	30	35	35	45	45	51	51

Standard	SIZE	1 1/2		2		2 1/2		3		4	
		1	1 1/4	1 1/4	1 1/2	1 1/2	2	2	2 1/2	2 1/2	3
ISO4144	H	20.5	20.5	24	24	27	27	30	30	35	35
	L	28.5	28.5	32	32	37	37	40	40	45	45
	W	49	49	61	61	76	76	90	90	115	115
JIS	H	23	23	25	25	28	28	31	31	37	37
	L	32	32	36	36	39	39	44	44	51	51
	W	53	53	63	63	80	80	90	90	119	119
SP-114	H	22	22	25.5	25.5	32	32	34.5	34.5	38	38
	L	32	32	37.6	37.6	44	44	46	46	52	52
	W	53	53	63	63	80	80	92	92	116	116
EN-10241	H	25.8	25.8	24.8	24.8	30.9	30.9	33	33	35	35
	L	38	38	36	36	45	45	47	47	52	52
	W	52	52	63	63	81	81	95	95	110	110

HEX.HOSE NIPPLE (HON)

FEATURES

- ◆ The thread ends conform to
ASME B1.20.1(NPT)
DIN 2999&BS21
ISO 228/1& ISO7/1
- ◆ Dimension conform to
ISO 4144,SP114
EN-10241,JIS
- ◆ 150LBS
- ◆ Material conform to
ASTM A351-CF8M/1.4408
ASTM A351-CF8/1.4401
ASTM A216-WCB
AISI 304,304L,316,316L,301,430ETC
- ◆ MADE FROM CASTING OR BAR

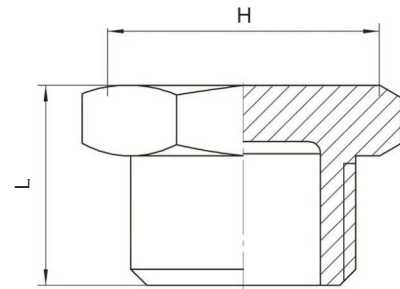


Standard	SIZE	1/8	1/4	3/8	1/2	3/4	1	1 1/4	1 1/2	2	2 1/2	3	4
ISO4144	L	38	42.5	49	57.5	66	76	79	83	92	99	107.5	117
	L1	26	28	33	38	45	52	52	56	60	65	70	73
	Φ1	4	5	7	10.5	15	22	27.5	34	45	59	71	95
	Φ2	8	9	11.5	15	20	27	33	39.5	52	67	80	105
	H	11	15	18	22	28	35	43.5	49.5	62	77.5	90.5	117
JIS	L	33	41	44	49	59	69	74	79	89	109	134	149
	L1	19	23	24	25	34	44	44	45	54	61	91	96
	Φ1	5	6	8	11.5	16.5	23	28	35	47	61	73	96
	Φ2	9	11	12	16	22	29.5	36	42	54	65.5	78.5	103
SP-114	H	11	13	16	19.5	24.5	33.5	43.5	51.5	62.5	78.5	92.5	117.5
	L	34	42	45	50	60	70	75	80	90	110	135	150
	L1	20	24	25	26	35	45	45	46	55	67	92	96
	Φ1	4	5	6	9	15	21.5	27	33	45	55	68	91
	Φ2	7	9	10	14	20	27.5	34	40	52	63.5	76.5	103
EN-10241	H	14	16	19	22	27.5	36.6	46	52	63	79	93	118
	L	45	47	55	64	68	71	80	95	105	125	150	165
	L1	31.6	31.8	38.5	43	44	44	50	57	67	80	103	113
	Φ1	2.5	4.4	7.5	10.7	17.1	23.4	28.8	35.1	47.5	58.5	68.2	87.6
	Φ2	4.5	6.4	9.5	12.7	19.1	25.4	31.8	38.1	50.8	63.5	76.2	105
EN-10241	H	12.5	16.5	20	23.5	31	38.5	46	52	62	78	92	117

HEX.PLUG (HP)

FEATURES

- ◆ The thread ends conform to ASME B1.20.1(NPT)
DIN 2999&BS21
ISO 228/1 & ISO7/1
- ◆ Dimension conform to ISO 4144,SP114
EN-10241,JIS
- ◆ 150LBS
- ◆ Material conform to ASTM A351-CF8M/1.4408
ASTM A351-CF8/1.4401
ASTM A216-WCB
AISI 304,304L,316,316L,301,430ETC

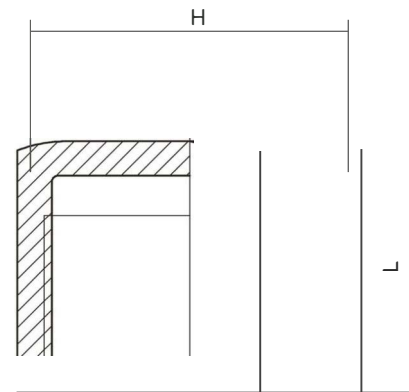
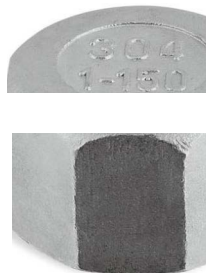


Standard	SIZE	1/8	1/4	3/8	1/2	3/4	1	1 1/4	1 1/2	2	2 1/2	3	4
ISO4144	H	11	15	18	22	28	35	43.5	49.5	62	77.5	90.5	117
	L	12	14.5	16	19.5	21	24	27	27	32	34	37.5	44
JIS	H	13.8	16.7	21	25	29	37	48	53	63	80	92	116
	L	16.8	18	19	21	26	27.6	32	32	37.6	44	46	52
SP-114	H	13.6	16.6	20.6	25.8	30.5	37.5	45.4	52.1	62.5	79.2	92.2	117.2
	L	16.9	18	18.9	22	25	27	30	31.8	35.7	38.9	43.9	50.6
EN-10241	H	14	16	18	26	30	35	45	52	63	81	95	118
	L	13.4	15.2	16.5	21	24	27	30	38	36	45	47	52

HEX.CAP (HCB)

FEATURES

- ◆ The thread ends conform to ASME B1.20.1(NPT)
DIN 2999&BS21
ISO 228/1 & ISO7/1
- ◆ Dimension conform to ISO 4144,SP114
EN-10241,JIS
- ◆ 150LBS
- ◆ Material conform to ASTM A351-CF8M/1.4408
ASTM A351-CF8/1.4401
ASTM A216-WCB
AISI 304,304L,316,316L,301,430ETC

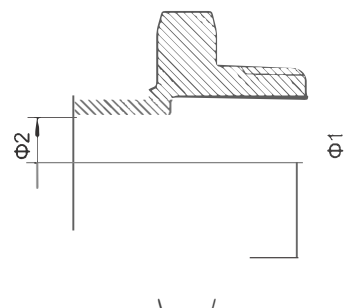


Standard	SIZE	1/8	1/4	3/8	1/2	3/4	1	1 1/4	1 1/2	2	2 1/2	3	4
ISO4144	H	13.5	17	20.5	25	31	38	47	53	66	82	95.5	121.5
	L	13.5	17	17.5	21	22.5	26	29	29	33.5	38.5	42	48.5
JIS	H	14	17	20	20	30	36	45	52	63	76	89	121
	L	14	15	17	24	24	28	30	32	36	40	45	54
SP-114	H	13.5	15.4	19.7	26.2	31.9	39.8	47.8	55.9	66.5	83.3	98.2	123
	L	15.4	15.5	18	23.5	24.6	29.9	30.6	32.5	35.6	42.7	44.7	48
EN-10241	H	15	18	21	27	30	38	50	55	70	92	109	132
	L	13	17	19	20	24	25	28	28	34	40	45	50

RED.HEX.NIPPLE (RHN)

FEATURES

- ◆ The thread ends conform to
ASME B1.20.1(NPT)
DIN 2999&BS21
ISO 228/1 & ISO7/1
- ◆ Dimension conform to
ISO 4144,SP114
EN-10241,JIS
- ◆ 150LBS
- ◆ Material conform to
ASTM A351-CF8M/1.4408
ASTM A351-CF8/1.4401
ASTM A216-WCB
AISI 304,304L,316,316L,301,430ETC



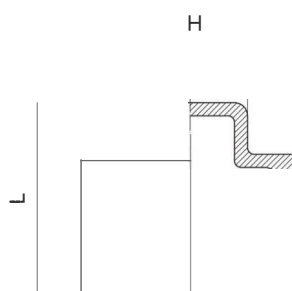
Standard	SIZE	1/4		3/8		1/2		3/4		1		1 1/4	
		1/8	1/4	1/4	3/8	3/8	1/2	1/2	3/4	3/4	1		
ISO4144	Φ1	8	11.5	15	15	20.5	20.5	26	26	34.5	34.5		
	Φ2	5.5	8	8	11.5	11.5	15	15	20.5	20.5	26		
JIS	Φ1	8.5	11	16	16	19	19	26	26	33.5	33.5		
	Φ2	5	8.5	8.5	11	11	16	16	19	19	26		
EN-10241	Φ1	7	9.4	13.7	13.7	19	19	25.5	25.5	32	32		
	Φ2	4.3	7	7	9.4	9.4	13.7	13.7	19	19	25.5		

Standard	SIZE	1 1/2		2		2 1/2		3		4	
		1	1 1/4	1 1/4	1 1/2	1 1/2	2	2	2 1/2	2 1/2	3
ISO4144	Φ1	40	40	51	51	65.5	65.5	77.5	77.5	101.5	101.5
	Φ2	26	34.5	34.5	40	40	51	51	65.5	65.5	77.5
JIS	Φ1	39	39	50	50	64.5	64.5	75.5	75.5	100.5	100.5
	Φ2	26	33.5	33.5	39	39	50	50	64.5	64.5	75.5
EN-10241	Φ1	38.5	38.5	50.2	50.2	63.8	63.8	77	77	102	102
	Φ2	25.5	32	32	38.5	38.5	50.2	50.2	63.8	63.8	77

SQUARE PIUG (SQ)

FEATURES

- ◆ The thread ends conform to
ASME B1.20.1(NPT)
DIN 2999&BS21
ISO 228/1 & ISO7/1
- ◆ Dimension conform to
ISO 4144,SP114
EN-10241,JIS
- ◆ 150LBS
- ◆ Material conform to
ASTM A351-CF8M/1.4408
ASTM A351-CF8/1.4401
ASTM A216-WCB
AISI 304,304L,316,316L,301,430ETC

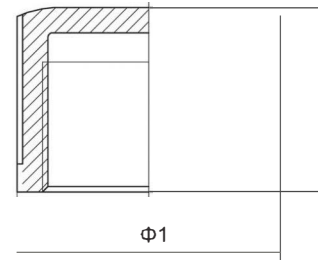


Standard	SIZE	1/8	1/4	3/8	1/2	3/4	1	1 1/4	1 1/2	2	2 1/2	3	4
		ISO4144	L	13	15.5	16	20.5	21.5	25	27.5	28.5	33	37
	H	6	7	8	10	12	14	16	20	22	28	32	40
JIS	L	16	19	21	25	28	31	35	36	41	48	58	62
	H	7	9	12	14	17	19	23	26	32	41	45.5	57.5
SP-114	L	16	18	20	22	27	32	36	37	43	46	50	62
	H	7	9	10	11	16	19	22	22	27	32	36	58
EN-10241	L	19	20	22	25	27.5	32	35	37	39	48	52	62
	H	7	9	11	13	16	20	24	25	32	42	46	58

ROUND CAP (CB)

FEATURES

- ◆ The thread ends conform to
ASME B1.20.1(NPT)
DIN 2999&BS21
ISO 228/1 & ISO7/1
- ◆ Dimension conform to
ISO 4144,SP114
EN-10241,JIS
- ◆ 150LBS
- ◆ Material conform to
ASTM A351-CF8M/1.4408
ASTM A351-CF8/1.4401
ASTM A216-WCB
AISI 304,304L,316,316L,301,430ETC

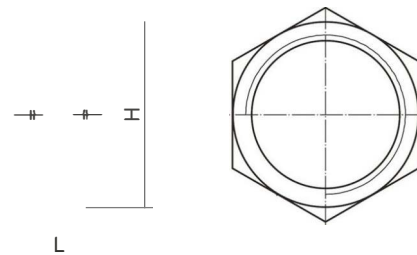


Standard	SIZE	1/8	1/4	3/8	1/2	3/4	1	1 1/4	1 1/2	2	2 1/2	3	4
ISO4144	Φ1	13.7	16.7	20.7	25.2	30.7	38.2	47.5	54	66.5	83.5	97	123
	L	13.5	17	17.5	21	22.5	26	29	29	33.5	38.5	42	48.5
JIS	Φ1	14	17	20	20	30	36	45	52	63	76	89	121
	L	14	15	17	24	24	28	30	32	36	40	45	54
SP-114	Φ1	19.1	21.6	26	30.6	36.5	45.1	54.9	61.9	75.6	84.3	100.7	128.6
	L	16.9	18	18.9	22	25	27	30	31.8	35.7	38.9	43.9	50.6
EN-10241	Φ1	15	18	21	27	30	38	50	55	70	92	109	132
	L	13	17	19	20	24	25	28	28	34	40	45	50

HEX.NUT (LN)

FEATURES

- ◆ The thread ends conform to
ASME B1.20.1(NPT)
DIN 2999&BS21
ISO 228/1 & ISO7/1
- ◆ Dimension conform to
ISO 4144,SP114
EN-10241,JIS
- ◆ 150LBS
- ◆ Material conform to
ASTM A351-CF8M/1.4408
ASTM A351-CF8/1.4401
ASTM A216-WCB
AISI 304,304L,316,316L,301,430ETC

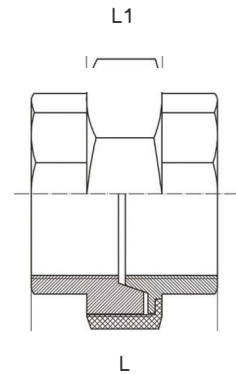


Standard	SIZE	1/8	1/4	3/8	1/2	3/4	1	1 1/4	1 1/2	2	2 1/2	3	4
ISO4144	L	5	6	6	7	7	9	11	11	13	15	17	20
	H	15	18	22	27	32	40	48	55	68	85	100	125
JIS	L	7	7	7.8	8	11	12	12.9	14.6	15	17	20.7	24
	H	19	19	24	30	37.7	42	52	60	72	88	98.3	125
EN-10241	L	6	7	8	10	11	10	11	12	13	15	17	20
	H	14	23	26	31	37	46	55	63	76	92	109	132

UNION CONICAL F/F (CU-Z-F/F)

FEATURES

- ◆ The thread ends conform to
ASME B1.20.1(NPT)
DIN 2999&BS21
ISO 228/1 & ISO7/1
- ◆ Dimension conform to
ISO 4144,SP114
EN-10241,JIS
- ◆ 150LBS
- ◆ Material conform to
ASTM A351-CF8M/1.4408
ASTM A351-CF8/1.4401
ASTM A216-WCB
AISI 304,304L,316,316L,301,430ETC

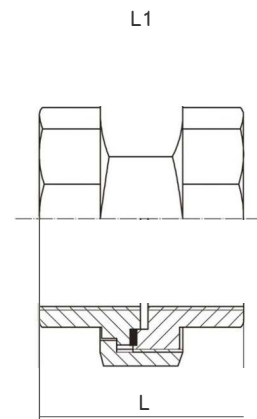


Standard	SIZE	1/8	1/4	3/8	1/2	3/4	1	1 1/4	1 1/2	2	2 1/2	3	4
ISO4144	L1	13	13.5	15	16	17	20	22	24	27	29.5	31	34
	L	30	33.5	36.5	39.5	42.5	50	54	58	65	75	83	110
SP-114	L1	13.5	13.5	14.5	15.5	16.5	18.5	21	23	25	27	29	32
	L	33	33	34	40	42	49	55	58	63	71	79	92
EN-10241	L1	13.5	13.5	15.5	17	19	20.5	23	26	28.5	28.5	30	34
	L	29	37.5	38	42	50.4	48	59	65	69	80	88	108

UNION TEFLON FLAT F/F (CU-T-F/F)

FEATURES

- ◆ The thread ends conform to
ASME B1.20.1(NPT)
DIN 2999&BS21
ISO 228/1 & ISO7/1
- ◆ Dimension conform to
ISO 4144,SP114
EN-10241,JIS
- ◆ 150LBS
- ◆ Material conform to
ASTM A351-CF8M/1.4408
ASTM A351-CF8/1.4401
ASTM A216-WCB
AISI 304,304L,316,316L,301,430ETC

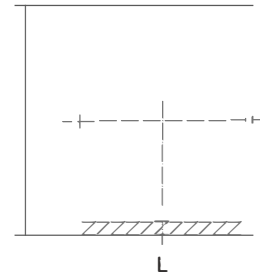


Standard	SIZE	1/8	1/4	3/8	1/2	3/4	1	1 1/4	1 1/2	2	2 1/2	3	4
ISO4144	L1	13	13.5	15	16	17	20	22	24	27	29.5	31	34
	L	30	33.5	36.5	39.5	42.5	50	54	58	65	75	83	110
SP-114	L1	13.5	13.5	14.5	15.5	16.5	18.5	21	23	25	27	29	32
	L	33	33	34	40	42	49	55	58	63	71	79	92
EN-10241	L1	13.5	13.5	15.5	17	19	20.5	23	26	28.5	28.5	30	34
	L	29	37.5	38	42	50.4	48	59	65	69	80	88	108

COUPLING (SPU)

FEATURES

- ◆ The thread ends conform to
ASME B1.20.1(NPT)
DIN 2999&BS21
ISO 228/1 & ISO7/1
- ◆ Dimension conform to
ISO 4144,SP114
EN-10241,JIS
- ◆ 150LBS
- ◆ Material conform to
ASTM A351-CF8M/1.4408
ASTM A351-CF8/1.4401
ASTM A216-WCB
AISI 304,304L,316,316L,301,430ETC
- ◆ MADE FROM CASTING,WELD PIPE OR SEAMLESS PIPE

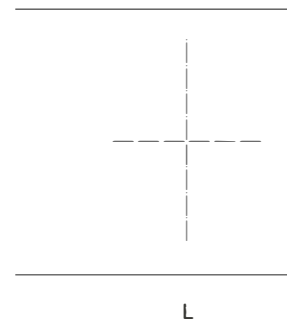


Standard	SIZE	1/8	1/4	3/8	1/2	3/4	1	1 1/4	1 1/2	2	2 1/2	3	4
ISO4144	Φ1	13	16.5	20	24.5	30	37.5	46.5	53	65.5	82	95.5	121.5
	L	17	24	25	32	35	41	45	45	54	63	69	81
JIS	Φ1	16	19	22	26	32	39	48	55	67	83.5	97	123
	L	17	19	23	27	32	38	46	48	57	69	78	96
SP-114	Φ1	14	18.5	21.5	26	32	39	48	54	66.5	82	95	122
	L	20	25	25	33	35	42	47	47	56	65	70	80
EN-10241	Φ1	15	18.5	21.3	26.4	31.8	39.5	49.3	55.5	69	87	103	126
	L	15	25	26	34	36	43	48	48	56	65	71	83

HALF COUPLING (SPE)

FEATURES

- ◆ The thread ends conform to
ASME B1.20.1(NPT)
DIN 2999&BS21
ISO 228/1 & ISO7/1
- ◆ Dimension conform to
ISO 4144,SP114
EN-10241,JIS
- ◆ 150LBS
- ◆ Material conform to
ASTM A351-CF8M/1.4408
ASTM A351-CF8/1.4401
ASTM A216-WCB
AISI 304,304L,316,316L,301,430ETC
- ◆ MADE FROM CASTING,WELD PIPE OR SEAMLESS PIPE

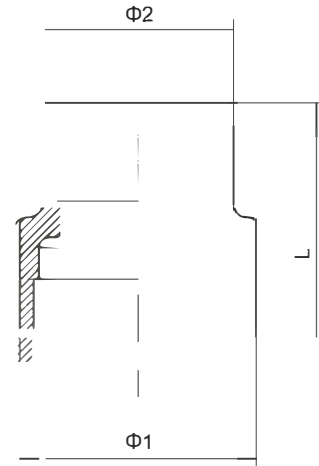


Standard	SIZE	1/8	1/4	3/8	1/2	3/4	1	1 1/4	1 1/2	2	2 1/2	3	4
ISO4144	Φ1	13	16.5	20	24.5	30	37.5	46.5	53	65.5	82	95.5	121.5
	L	7.5	11	11.5	15	16.5	19.5	21.5	21.5	26	30.5	33.5	39.5
JIS	Φ1	16	19	22	26	32	39	48	55	67	83.5	97	123
	L	8.5	11.5	12.5	15.5	17.5	20.5	22.5	22.5	27.5	31.5	34.5	42
SP-114	Φ1	14	18.5	21.5	26	32	39	48	54	66.5	82	95	122
	L	11.5	13.5	16.5	18.5	20.5	23.5	26.5	29.5	31	34	38	43
EN-10241	Φ1	15	18.5	21.3	26.4	31.8	39.5	49.3	55.5	69	87	103	126
	L	6.5	15	16.5	18	20.5	23.5	26.5	26.5	29.5	31	34.5	38

RED.SOCKET BANDED (RSB)

FEATURES

- ◆ The thread ends conform to
 - ASME B1.20.1(NPT)
 - DIN 2999&BS21
 - ISO 228/1 & ISO7/1
- ◆ Dimension conform to
 - ISO 4144,SP114
 - EN-10241,JIS
- ◆ 150LBS
- ◆ Material conform to
 - ASTM A351-CF8M/1.4408
 - ASTM A351-CF8/1.4401
 - ASTM A216-WCB
 - AISI 304,304L,316,316L,301,430ETC



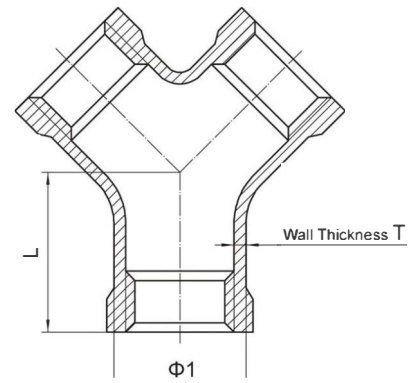
Standard	SIZE	1/4	3/8	1/2		3/4		1		1 1/4	
		1/8	1/4	1/4	3/8	3/8	1/2	1/2	3/4	3/4	1
ISO4144	Φ1	16.5	20	25.5	25.5	31	31	38	38	47	47
	Φ2	13	16.5	16.5	20	20	24.7	24.7	31	31	38
	L	25	26	34	34	36	36	42	42	48	48
JIS	Φ1	19	22	26	26	32	32	39	39	48	49
	Φ2	16	19	19	22	22	26	26	32	32	39
	L	25	28	34	34	38	38	42	42	48	48
SP-114	Φ1	21.4	25.4	30.5	30.5	37.1	37.1	44.9	44.9	54.6	54.6
	Φ2	19.1	21.4	21.4	25.4	25.4	30.5	30.5	37.1	37.1	44.9
	L	25.4	28.5	35	32	38	38	41	41	51	51
EN-10241	Φ1	21.5	26	29	29	36.7	36.7	43	43	52.5	52.5
	Φ2	15.2	21.5	21.5	26	29	29	29	36.7	36.7	43
	L	26	29	34	34	37	37	42	42	52	52

Standard	SIZE	1 1/2		2		2 1/2		3		4	
		1	1 1/4	1 1/4	1 1/2	1 1/2	2	2	2 1/2	2 1/2	3
ISO4144	Φ1	54	54	66	66	82	82	96.5	96.5	123.5	123.5
	Φ2	38	47	47	54	54	66	66	82	82	96.5
	L	52	52	58	58	65	65	72	72	94	94
JIS	Φ1	55	55	67	67	83.5	83.5	98.2	98.2	123	123
	Φ2	39	48	48	55	55	67	67	83.5	83.5	98.2
	L	52	52	58	58	65	65	72	72	94	94
SP-114	Φ1	61.7	61.7	75.2	75.2	84.1	84.1	101.6	101.6	128.5	128.5
	Φ2	44.9	54.6	54.6	61.7	61.7	75.2	75.2	84.1	84.1	101.6
	L	53.8	53.8	63.5	63.5	72.9	72.9	80.8	80.8	93.5	93.5
EN-10241	Φ1	59	59	72	72	87	87	100	100	126	126
	Φ2	43	52.5	52.5	59	59	72	72	87	87	100
	L	53	53	57	57	68	68	76	76	89	89

Y TYPE TEE (Y-TB)

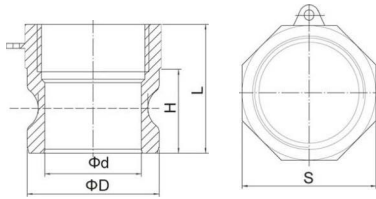
FEATURES

- ◆ The thread ends conform to
 - ASME B1.20.1(NPT)
 - DIN 2999&BS21
 - ISO 228/1 & ISO7/1
- ◆ Dimension conform to
 - ISO 4144,SP114
 - EN-10241,JIS
- ◆ 150LBS
- ◆ Material conform to
 - ASTM A351-CF8M/1.4408
 - ASTM A351-CF8/1.4401
 - ASTM A216-WCB
 - AISI 304,304L,316,316L,301,430ETC



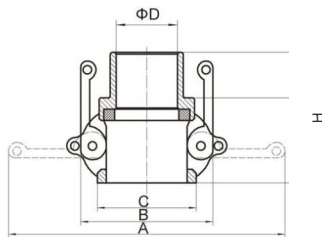
Standard	SIZE	1/8	1/4	3/8	1/2	3/4	1	1 1/4	1 1/2	2	2 1/2	3	4
ISO4144	$\Phi 1$	13	16	20	24.5	30	37.5	46.5	53	65.5	82	95.5	121.5
	L	17	19	23	27	32	38	45	48	57	69	78	96
	T	2.5	2.5	2.8	1.65	1.75	2	2.25	2.5	2.85	3.25	3.75	4.25
JIS	$\Phi 1$	16	19	22	26	32	39	48	55	67	83.5	97	123
	L	17	19	23	27	32	38	46	48	57	69	78	96
	T	2.5	2.5	2.5	2.5	3	3	3.5	3.5	4	4.5	5	5.5
SP-114	$\Phi 1$	13.5	15.4	19.7	26.2	31.9	39.8	47.8	55.9	66.5	83.3	98.2	123
	L	20.6	20.6	23.6	28.5	33.3	38.1	44.5	49	57.1	68	77.6	96.8
	T	2.7	2.7	2.7	2.7	3.2	3.2	3.8	3.8	4	4.7	5.2	6
EN-10241	$\Phi 1$	15.2	19.7	23.3	28	34.8	43.6	53	58	71	87	100	126
	L	17	18.5	22.9	26.8	32	37.5	45.9	47.6	58	70	77	97
	T	3.6	4.35	4.85	3.4	4.15	5.05	5.5	5	5.6	5.75	6	6.5

QUICK COUPLING



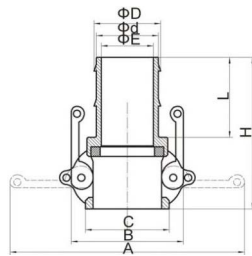
SIZE	inch	1/2	3/4	1	1 1/4	1 1/2	2	2 1/2	3	4
	mm	15	20	25	32	40	50	65	80	100
L		37	37	44	48	52.5	59	72.5	67	67
H		30	30	32	37	40	46	56	50	50
D		32	32	36.5	45.5	53.3	63	75.5	91.5	119.5
d		18.5	23	26	31	40	48	60	76	103
S		33	33	38	46.5	55	65	82	97	122

TYPE A



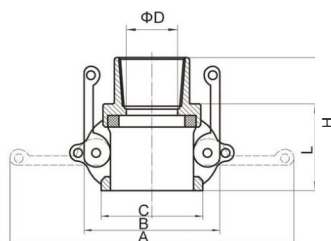
SIZE	inch	1/2	3/4	1	1 1/4	1 1/2	2	2 1/2	3	4
	mm	15	20	25	32	40	50	65	80	100
D		15	20	25	32	40	50	65	76.5	102
A		112	112	120	175	182	191	205	230	258
B		53	53	60	79	85	94	109	130	160
C		41	41	47	56	64	74	88	104	134
L		31	31	37.5	45	45	51	53	55	55
H		46	47	55	66	67.5	78.5	82.5	90	91

TYPE B



SIZE	inch	1/2	3/4	1	1 1/4	1 1/2	2	2 1/2	3	4
	mm	15	20	25	32	40	50	65	80	100
d		18.5	18.5	24	32	38	50	63	75	100
D		19.7	19.7	26	34	39	52.5	65	77	103
A		112	112	120	175	182	191	205	230	258
B		53	53	60	79	85	95	109	130	160
C		41	41	46	56	64	74	87	104	134
L		55	55	61	60	71	73	82	91	106
H		85	85	97.5	105	116	125	134	146.5	162
E		15	15	20	28	33.5	46.5	57	70	95.5

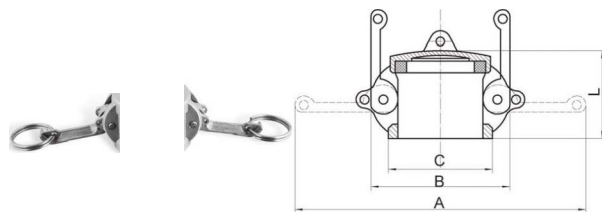
TYPE C



SIZE	inch	1/2	3/4	1	1 1/4	1 1/2	2	2 1/2	3	4
	mm	15	20	25	32	40	50	65	80	100
D		16.5	19.5	28	35	40	50	63.5	75	102.5
A		112	112	120	175	182	191	205	230	258
B		53	53	60	79	85	94	109	130	160
C		41	41	46	56	64	74	87	104	134
L		30	30	35.5	43	45	51	52.5	55	55
H		44	46.5	52.5	63	65	78.5	81	86	86

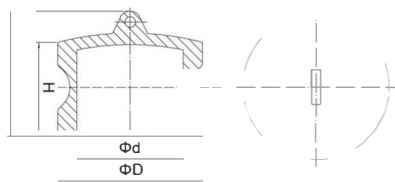
TYPE D

QUICK COUPLING



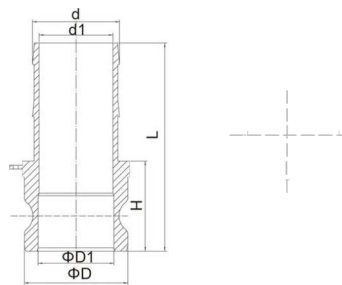
SIZE	inch	1/2	3/4	1	1 1/4	1 1/2	2	2 1/2	3	4
	mm	15	20	25	32	40	50	65	80	100
A		112	112	120	175	182	191	205	230	258
B		53	53	60	79	85	95	109	130	160
C		40.5	40.5	46	56	64	74	88	104	135
L		32	32	39	46	48.5	53.5	58	59.5	63

TYPE DC



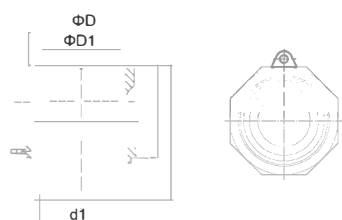
SIZE	inch	1/2	3/4	1	1 1/4	1 1/2	2	2 1/2	3	4
	mm	15	20	25	32	40	50	65	80	100
L		36	37	40	48	48	55	58	66	74
H		28	28	33	40	40	46	48	53	60
D		32	32	36.5	45.5	53.3	63	75.5	91.5	119.5
d		18.5	23	25	31	38.5	48	61	76	104

TYPE DP



SIZE	inch	1/2	3/4	1	1 1/4	1 1/2	2	2 1/2	3	4
	mm	15	20	25	32	40	50	65	80	100
L		97	97	101	108	117	127	137	150	162
H		40	40	40	47	51	53	55	60	60
D		32	32	36.5	45.5	53.3	63	75.5	91.5	119.5
D1		21.5	21.5	25	30.5	38	47	60	76	103
d		20	20	27	34	40	53	64	77	104
d1		15	15	22	28	33	46	57	70	96

TYPE E



SIZE	inch	1/2	3/4	1	1 1/4	1 1/2	2	2 1/2	3	4
	mm	15	20	25	32	40	50	65	80	100
L		48	48	62	72.5	73	80.3	87	95	103
H		31.5	31.5	42	50	51	55	60	65	69
D		32	32	36.5	45.5	53.3	63	75.5	91.5	119.5
D1		22.5	22.2	26	31	40	48	60	76	102
d1		15	20	26	34	40.5	51	66	79	102

TYPE F