



Know-how makes the difference



Brass Ball Valves

2023

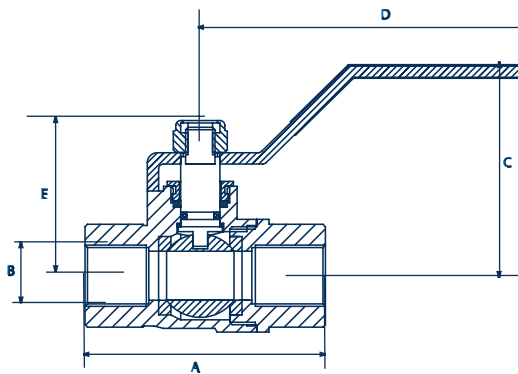
BRASS BALL VALVE

BALL VALVE (BE400)

- 400 WOG
- Full Port
- Long Service
- Easy to Clean
- Value for Money
- Blow-out Proof Stem
- Minimum Drop of Pressure

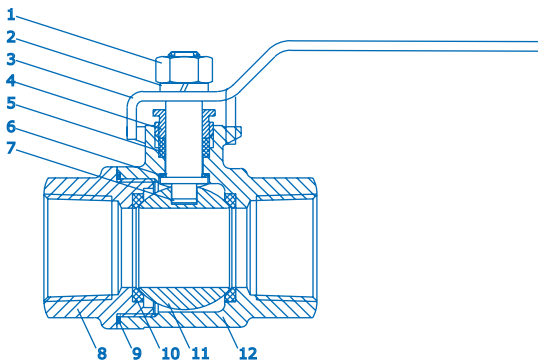


Dimensions (mm) and flow capacities



Dimension (inch)	A (mm)	B (mm)	C (mm)	D (mm)	E (mm)
1/4"	43,2	11,7	38,7	81,0	28,7
3/8"	42,6	15,0	42,0	81,0	28,0
1/2"	50,3	18,6	39,9	81,0	33,1
3/4"	57,0	24,2	54,0	91,0	40,0
1"	59,5	30,0	60,0	101,0	45,0
1 1/4"	77,8	38,5	70,0	120,5	55,0
1 1/2"	85,5	44,3	81,0	131,6	65,0
2"	99,7	56,5	90,0	141,5	65,0
2 1/2"	117,4	67,6	125,0	240,0	86,0
3"	137,5	83,3	135,0	240,0	95,0
4"	167,0	108,7	135,0	248,0	115,0

Structure and material



No.	Description	Material	Standard
1	Nut	Steel	CF8
2	Nut washer	Steel	CF8
3	Handle	Steel with vinyl	CF8
4	Cap nut	Nickel Plated Brass	MS58
5	Stem packing	PTFE	
6	Thrust washer	PTFE	
7	Stem	Nickel Plated Brass	MS58
8	Threaded end	Nickel Plated Brass	MS58
9	Body gasket	PTFE	
10	Seat	PTFE	
11	Ball	Nickel Plated Brass	MS58
12	Body	Nickel Plated Brass	MS58